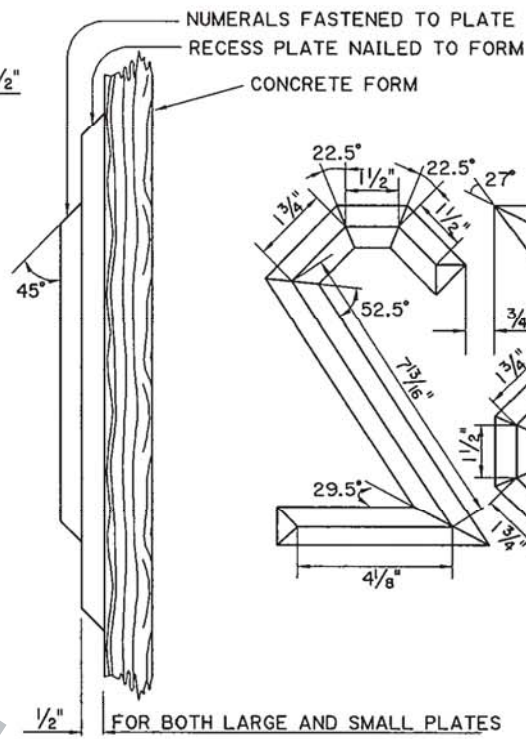


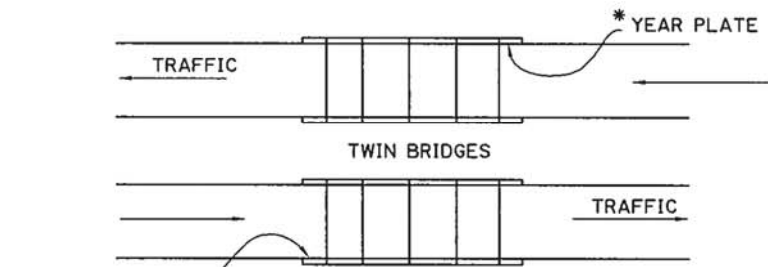
YEAR PLATE

DIMENSIONS SHOWN ARE FOR LARGE YEAR PLATE.
 USE ONE HALF (1/2) ABOVE DIMENSIONS FOR SMALL YEAR PLATE.
 YEAR PLATE TO CORRESPOND TO YEAR IN WHICH STRUCTURE IS COMPLETED.



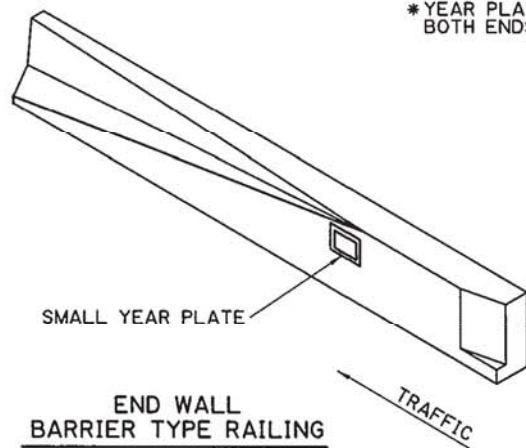
NUMERALS

NOTE:
 FIGURE "6" TO BE "9" INVERTED.
 FIGURE "0" TO BE MADE USING DASHED LINES INDICATED ON DETAIL OF FIGURE "8."
 DIMENSIONS SHOWN ARE FOR LARGE YEAR PLATE.
 USE ONE-HALF (1/2) ABOVE DIMENSIONS FOR SMALL YEAR PLATE.

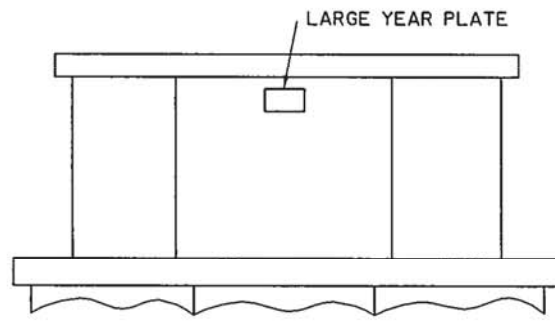


BRIDGE PLAN

* YEAR PLATE ON THE APPROACH SIDE OF BOTH ENDS ON TWO-WAY TRAFFIC BRIDGES.

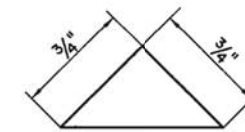


END WALL BARRIER TYPE RAILING



PIER ELEVATION

SKETCHES SHOWING LOCATION OF YEAR PLATE ON VARIOUS CONCRETE STRUCTURES



FULL SIZE CROSS-SECTION OF 3/8" CHAMFER STRIP TO BE USED IN CONSTRUCTION OF ALL NUMERALS.
CHAMFER STRIP FOR LARGE YEAR PLATE



FULL SIZE CROSS SECTION OF 3/8" CHAMFER STRIP TO BE USED IN CONSTRUCTION OF ALL NUMERALS.
CHAMFER STRIP FOR SMALL YEAR PLATE



Paul B. Fossier, Jr.
 8/28/00

SHEET NUMBER	
PARISH	
FEDERAL PROJECT	
STATE PROJECT	
RESERVED	
CHECKED	
DATE	
BY	
REVISION DESCRIPTION	
NO.	
DATE	
NO.	
STATE OF LOUISIANA	
YEAR PLATE FOR CONCRETE STRUCTURES	
STANDARD DETAIL	YP-01
BRIDGE AND STRUCTURAL DESIGN	